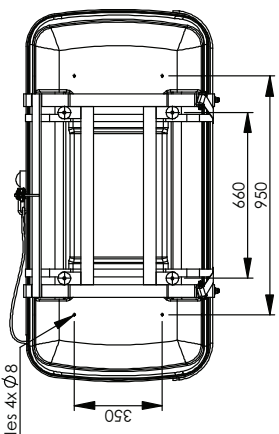
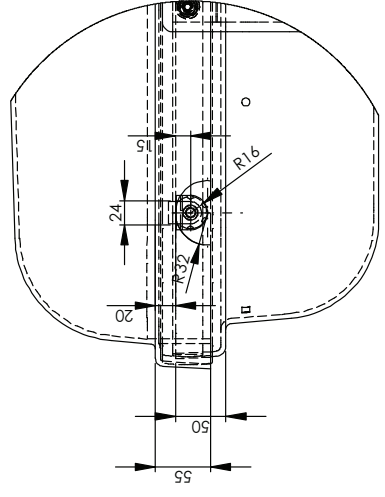
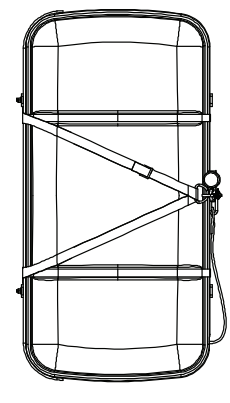
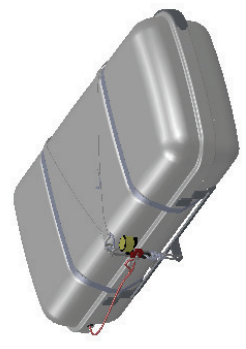
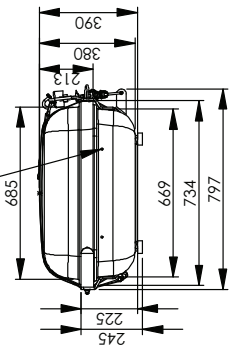
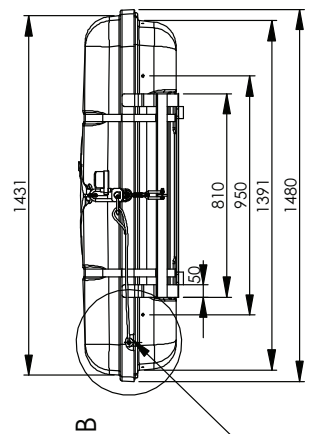


1 2 3 4 5 6

Bottom Drain holes: 4x Ø8



Side Drain holes: 2x Ø8 all 4 sides



DETAIL B
SCALE 1:5

1051000	LASHING, F. CRADLE 016-9045 LP	1 set
1050998	VERTICAL CRADLE 9045, GALVANIZED	1 Pcs
Part	Description	Quantity

MATERIAL NO: 1042293	Old DWG No:	UNITS: mm/kg	WEIGHT: 66.438	CHECK DATE/INIT:
BASIC MATERIAL:	SURFACE TREATMENT:	SHEETSIZE: A3	SCALE: 1:10	DRAWN DATE/INIT:
<p>VIKING LIFE-SAVING EQUIPMENT AS Seeding Ringvej 13, DK-6710 Esbjerg V Tel.: +45 7611 8100 Fax.: +45 7611 8101 E-mail: viking@viking-life.dk Web: www.viking-life.com</p>		PROJECTION TYPE FIRST ANGLE PROJECTION GENERAL TOLERANCE:		
DESCRIPTION: Container 016-9045, complete 50 DKR LOW PROFILE		CAD NO.: 14001681		
Copyright of VIKING LIFE-SAVING EQUIPMENT DENMARK whose property this document remains. No part of this document may be reproduced, stored in a retrieval system, or transmitted in any form or by any means, electronic, mechanical, photocopying, recording, or otherwise, without the prior written approval of VIKING LIFE-SAVING EQUIPMENT DENMARK.		Drawing NO.: 160004050 REV NO.: 00		

A B C D E

A B C D E

1 2 3 4 5 6